

# 1U rack mount 17.3" Full HD LCD console with front USB ports

**Full HD**  
1920x1080

LCD1U17-35 Single Rail consoles offer industrial level input solution to optimize your space utilization by controlling your systems in just 1U. With the unique modular design, you can easily integrate more than 18 models of KVM switches with different functions and expand the connections up to 8 levels of the KVM switches.

Single Rail	Modular Design KVM Switch	17" TFT LCD	Full HD	Front USB Port	18 Various Keyboard
-------------	---------------------------	-------------	---------	----------------	---------------------

www.RackmountMart.com



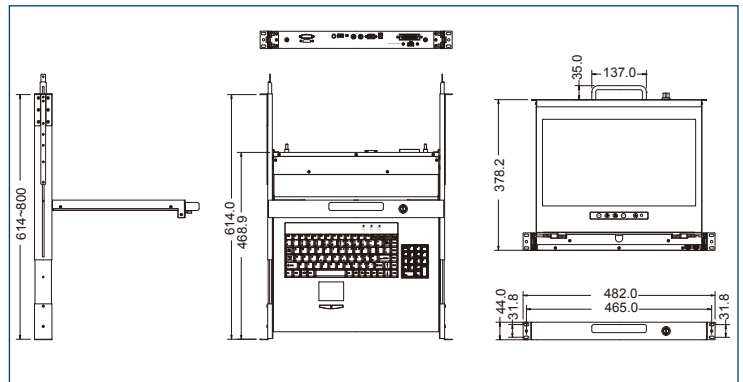
## Features

- Support 1920 x 1080 full HD resolution
- Provide front USB port to easy data access
- Various keyboard options
- Upgrade options: Analog KVM switch, IP KVM switch, CAT5 KVM switch

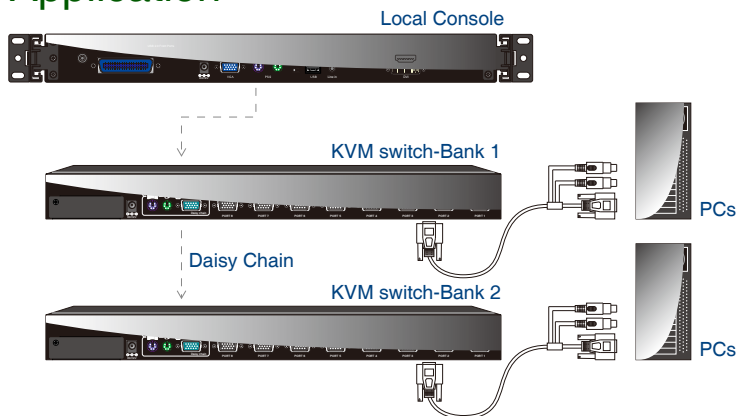
## Specifications

Model Name	LCD1U17-35
System Connections	1
Dimension	582 x 436.4 x 44.0 mm / 20.8 x 17.2 x 1.7 inches
Resolution Capabilities	max. 1920 x 1080 (Full HD)
Display Size	17.3 inches Full HD
Panel Type	TFT LCD
Pixel Pitch	Supports 0.1989 (H)mm x 0.1989 (V)mm
Active Display Area	Horizontal: 381.888 mm Vertical: 214.812 mm
Viewing Angle (CR>10)	Right-Left View 140°(Typ) Up-Down View 120°(Typ)
Contrast Ratio	650 : 1
Brightness	300 cd/m <sup>2</sup>
Back Light	Dual Lamps for Back Light
Response Time	Rise Time 2 ms , Falling Time 6 ms
Operating System	Dos, Unix, Linux, OSX, Windows ( XP, 7, 8, Server 2012 R2)
Keyboard Language	US, UK, German, French, Spanish, Italian, Dutch, Portuguese, Swiss, Belgium, Swedish, Norwegian, Danish, Russian, Hebrew, Arabic, Japanese, Mandarin

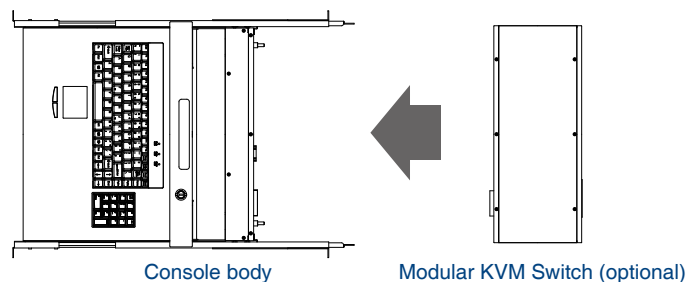
## Dimensions



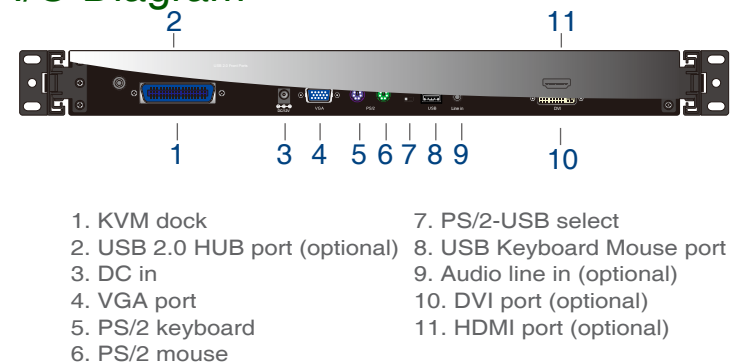
## Application



## Usage Diagram



## I/O Diagram



\* Regarding the optional KVM switch modules specification, please refer the datasheet of modular KVM switch.

## Options

- Finger Print Scanner
- Front USB HUB port
- HDMI port
- USB 2.0 HUB port
- DVI port

